

MAKEN

Heavy Duty Large Cash Drawer

Make It Happen

INNOVATION QUALITY SERVICE

SK-460M

Ball bearing slide cash drawer with button open function and bell alarm when opening. Made of heavy gauge steel, suitable for heavy duty use and prolonged operational life, the ideal choice for reliability and perfect platform for any epos terminal. adjustable and removable 4/5-note and 8-coin cash tray with metal wire grippers, making it worldwide compatible.



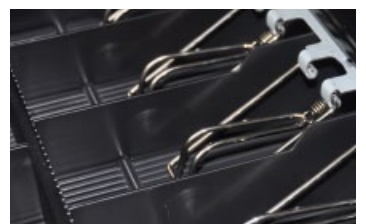
Industrial Grade Steel
Ball-bearing Slides



Strengthening Rib Under
The Drawer Case



Well-designed Releasing
Mechanism



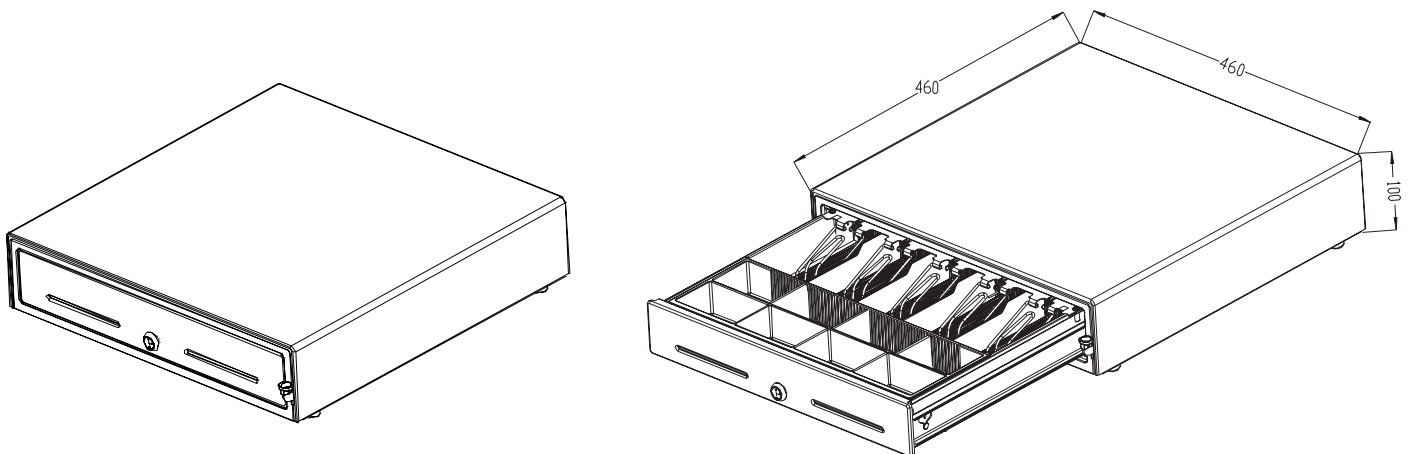
Durable Metal Wire Gripper
Tested One Million Operations

SK-460 M Specifications

MODEL NUMBER	SK-460M
PHYSICAL	
Dimension	460(W)x460(D)x100(H)mm
Construction	Thick gauge cold rolled steel & SECC
Opening	Manual button open with bell alarm
Finish	Textured hybrid powder coat
Color	Black, Beige and Custom type
Slide	Ball bearing slide for smooth & stable operation
CASH TRAY (INSERT)	
Construction	Shatter-resistant plastic
Currency Layout	4/5-Bill with Metal Metal wire grips, 8 Adjustable Coin Slots
Media Slots	2
OPERATION	
Drawer Lock	2-Position lock : locked closed, manual button open
Lifecycle	MTBF 1,000,000 times +

OPTION	ACCESSORIES	
	Part Number	Description
Stylish drawer front with custom color		
Cash tray with different currency layout	Tray-4658/4648	Cash Tray
Different color	Bracket-41268	Under Mounting brackets

Packing Details			
Model	Net Weight(kg)	Gross Weight(kg)	Carton Size(cm)
SK-460M	9.8	10.9	52.5 × 51.1 × 17.0



Xiamen Maken Tech Co., Ltd.

No.77,Huli Industrial Zone,Xike,
Tong'an District,Xiamen 361100
Fujian China

Tel: +86-592-5768733
Fax: +86-592-5768735
www.maken.com.cn
E-mail: export@maken.com.cn

Specifications are subjected to change without notice.

