

# MAKEN

Make It Happen

## Manual button Medium Cash Drawer

INNOVATION QUALITY SERVICE

### 410M Series MK-410M

Made of heavy gauge steel, suitable for heavy duty use and prolonged operational life, the ideal choice for reliability and perfect platform any retails environment, where does not need a electrical cash drawer. No external power supply. Adjustable and removable 4,5,6,8 –bill and 8–coincash tray with metal wire grippers, making it worldwide compatible.



Push button  
to open drawer



Stainless steel drawer front



Durable Metal Wire Gripper  
Tested over one million operations

Easy and comfortable operation. Human  
Engineering Design

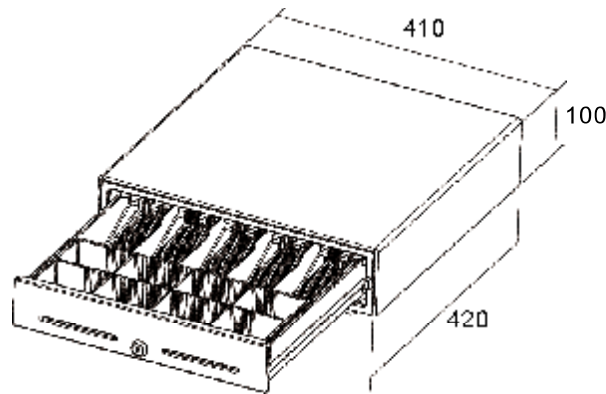
Removable and adjustable cash tray

# MK-410M Series Specifications

<b>MODEL NUMBER</b>	MK-410M
<b>PHYSICAL</b>	
<b>Dimension</b>	410(W)x420(D)x100(H)mm
<b>Construction</b>	Thick gauge cold rolled steel & SECC
<b>Finish</b>	Textured hybrid powder coat
<b>Color</b>	Black, Beige and Custom type
<b>Roller</b>	Polyurethane for smooth operation
<b>CASH TRAY (INSERT)</b>	
<b>Construction</b>	Shatter-resistant plastic
<b>Currency Layout</b>	4,5,6,8-Bill with Metal Metal wire grips, 8 Adjustable Coin Slots
<b>Media Slots</b>	2
<b>OPERATION</b>	
<b>Lock</b>	2-Position lock: locked open, locked closed
<b>Open way</b>	Manual button open
<b>Lifecycle</b>	MTBF 1,000,000 times +

OPTION	ACCESSORIES	
	Part Number	Description
Stainless Steel Front		
Cash tray with different currency layout	Tray-4148, Tray-4158 Tray-4168, Tray-4188	Cash Tray
Different color	Cover-41458	Lockable Cover for Tray-4148, Tray-4158
Different interfaces	Bracket-41268	Under Mounting brackets

Packing Details			
Models	Net Weight(kg)	Gross Weight(kg)	Carton Size(cm)
MK-410M	7.5	8.4	47.0 × 48.0 × 16.0



**MK-410M**

## Xiamen Maken Tech Co., Ltd.

No.77,Huli Industrial Zone,Xike,  
Tong' an District,Xiamen 361100  
Fujian China

Tel: +86-592-5768733  
Fax: +86-592-5768735  
www.maken.com.cn  
E-mail: export@maken.com.cn

*Specifications are subjected to change without notice.*

